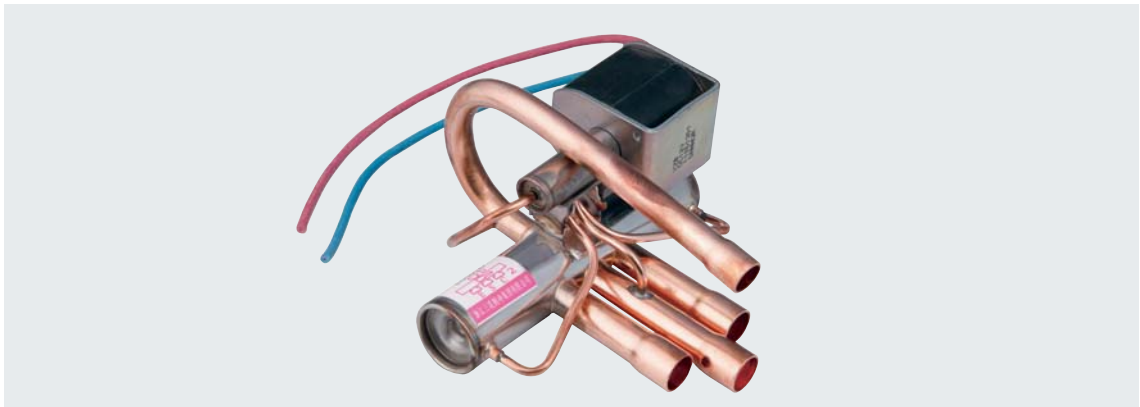


Four-way Reversing Valve SHF (G) Series



Outline



SHF (G) series four-way valves are especially applicable for heat pump systems including high-end and high-efficient unitary and room air conditioners to realize switching between cooling mode and heating mode by changing the flow path of refrigerant.

Features

- ◆ Power saving: nearly zero energy consumption with bi-stable coils
- ◆ Energy saving: stainless steel used for main parts, low heat loss with reduction of precious metals which reduces energy consumption
- ◆ Excellent anti-vibration performance: the pilot valve has good anti-system abnormal recoil ability and action performance which is welded securely to the main valve
- ◆ Excellent action performance at low temperature: optimized design of main valve parts
- ◆ Only applicable for DC or bi-stable control, not for AC control.

General spec.

- ◆ Applicable refrigerant: R22, R407C, R410A etc.
- ◆ Applicable medium temperature: -30°C ~ +120°C
- ◆ Applicable ambient temperature: -30°C ~ +50°C
- ◆ Relative humidity: below 95% RH

Technical Parameters

Series	Model	Port mm	R22 Nominal Capacity		Max. Working Pressure MPa	Operation Pressure Difference MPa		Connection Size (Outside Diameter) in	
			kW	US.R.T		Max	Min	D Tube	E/S/C Tube
SHF-4	SHF(G)-4H-23U	8.0	4.5	1.25	4.2	3.1	0.25	5/16	3/8
SHF-7	SHF(G)-7H-34U	11.1	7	2				3/8	1/2

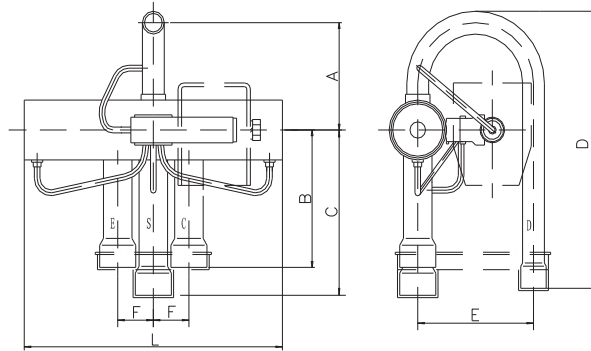
Electrical Parameters of Coil

Type	Classification	Rated Voltage V	Frequency Hz	Power W
Coils with Lead Wires	SHF-4-10L Series	AC220~240, AC200, AC100, AC110~120, AC24, AC265~277	50/60	4.5/3.5
	SHF-4-10W Series	AC220, AC220~240, AC100	50/60	6/5
		AC200	50/60	7/5
		DC35	/	7
Coil with Spade Connection	SHF-4-10FA Series	AC220~240, AC220, AC115~120, AC100-110, AC24, AC265~277, AC200	50/60	6/5
		DC12	/	10
		DC24	/	11
Bistable Coils	XZB Series	AC100, AC200	50/60	18
		DC12	/	20

Four-way Reversing Valve SHF (G) Series



Dimensions



Model	Dimensions mm							Connection Size/Connection Depth mm	
	L	A	B	C	D	E	F	D Tube	E/S/C Tube
SHF(G)-4H-23U	92	43	50	62	105	43	12	8.1/8.5	9.65/9.5
SHF(G)-7H-34U	113.6	51	59	71	119	52	16	9.65/9.5	12.8/9.5